



## Three Phase Squirrel Cage Induction Motor

Motor type TA3-112M-4 B3

### Electrical Data

RATED VALUES							STARTING VALUES				BREAKDOWN	EFFICIENCY			EFFICIENCY CLASS			
VOLTAGE	POWER		SPEED	CURRENT	TORQUE	Cos φ	CURRENT		TORQUE		TORQUE	%			IEC 60034-30-1			
V	kW	Hz	rpm	A	Nm	4/4	I <sub>A</sub> / I <sub>N</sub>	Y	D	M <sub>A</sub> / M <sub>N</sub>	Y	D	Mk/ Mn	Nm	4/4	3/4	2/4	IE
400/690	4	50	1452	8,2/4,7	26,49	0,81	3,0	9,1	1,1	3,34	4,1				IE3-88,6%	88,8	87,3	IE3
460/795	4,6	60	1750	8,0/4,6	25,10	0,82	2,9	8,827	1,1	3,17	4,0				-	-	-	

### Mechanical Data

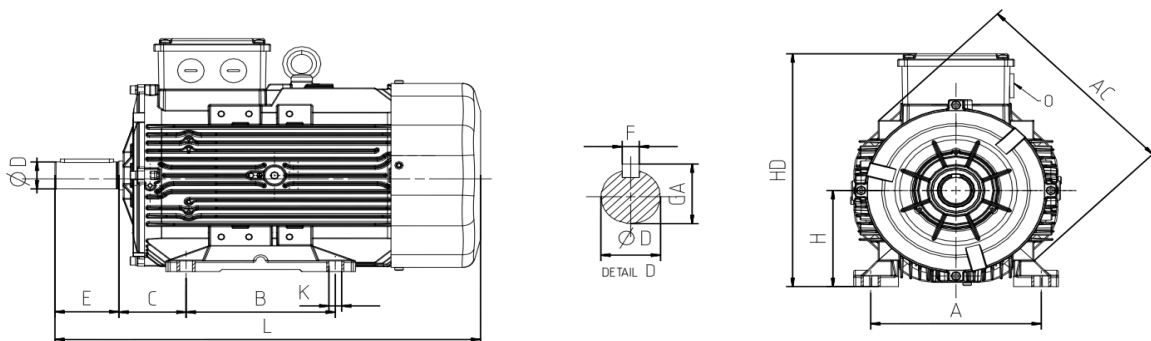
Bearing DE	6306-ZZ	Color	RAL 7030
Bearing NDE	6206-ZZ	Motor protection	No
Lubricants	Shell Gadus S2 V100Q2	Method of cooling	IC 411
Condensation drain hole	No	Terminal box position	Top
External earthing terminal	Yes	Material of terminal box	Aluminium
Vibration class	A	Terminal plate thread	M5
Insulation Class	F	Cable gland	1xM25
Duty type	S1	Clamping range	13-18 mm
Direction of rotation	Clockwise	Mounting type	IM 1001 (B3)
Housing material	Aluminium		
Type of balancing	Half Key		

### Environmental Data

### Others

Ambient Temperature	-20 / + 40 °C	Type of protection	IP 56
Altitude above sea level	1000 m	Sound Pressure Level 50/60Hz dBA	54
		Moment of Inertia (kg.mm <sup>2</sup> )	0,0138288
		Standard	IEC 60034-1
		Weigth (Kg)	32

### Dimensions



Main Dimensions		Foot Mounted Motors						Shaft				Flange Mounted Motors			
AC	L	B	A	H	HD	K	C	D	E	GA	F	P	N	M	R
210	396	140	190	112	264,5	12	70	28	60	31	8	-	-	-	-