



## Three Phase Squirrel Cage Induction Motor

Motor type TA3-132S-4 B3

### Electrical Data

RATED VALUES							STARTING VALUES				BREAKDOWN	EFFICIENCY			EFFICIENCY CLASS				
VOLTAGE	POWER		SPEED	CURRENT	TORQUE	Cos φ	CURRENT		TORQUE		TORQUE	%			IEC 60034-30-1				
V	kW	Hz	rpm	A	Nm	4/4	I <sub>A</sub> / I <sub>N</sub>	Y	D	M <sub>A</sub> / M <sub>N</sub>	Y	D	Mk / Mn	Nm	4/4	3/4	2/4	IE	
400/690	5,5	50	1470	11,0/6,35	35,76	0,81	2,8	8,497	0,7	1,98	3,8		IE3-89,6%	89,1	87,6			IE3	
460/795	6,33	60	1770	10,7/6,2	34,15	0,83	2,7	8,242	0,6	1,88	3,7		-	-	-				

### Mechanical Data

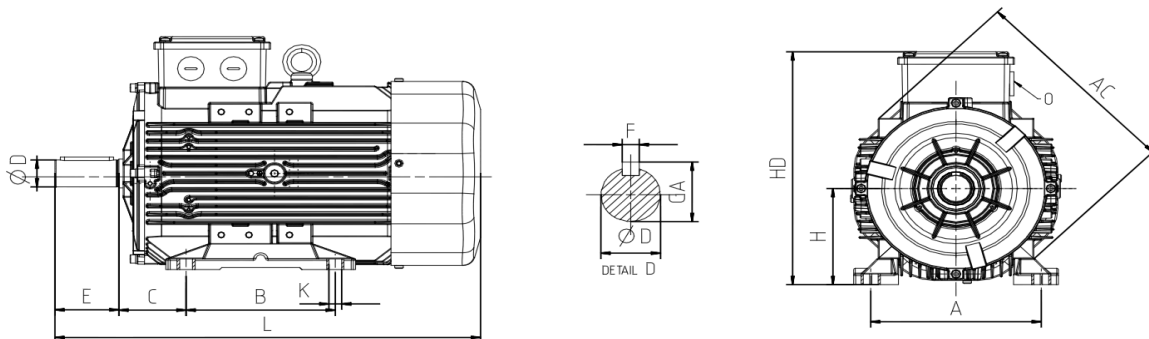
Bearing DE	6208-ZZ	Color	RAL 7030
Bearing NDE	6208-ZZ	Motor protection	No
Lubricants	Shell Gadus S5 V220-2	Method of cooling	IC 411
Condensation drain hole	No	Terminal box position	Top
External earthing terminal	Yes	Material of terminal box	Aluminium
Vibration class	A	Terminal plate thread	M6
Insulation Class	F	Cable gland	1xM32
Duty type	S1	Clamping range	18-25 mm
Direction of rotation	Clockwise	Mounting type	IM 1001 (B3)
Housing material	Aluminium		
Type of balancing	Half Key		

### Environmental Data

### Others

Ambient Temperature	-20 / + 40 °C	Type of protection	IP 56
Altitude above sea level	1000 m	Sound Pressure Level 50/60Hz dBA	60
		Moment of Inertia (kg.mm <sup>2</sup> )	0,0356042
		Standard	IEC 60034-1
		Weigth (Kg)	52,5

### Dimensions



Main Dimensions		Foot Mounted Motors						Shaft				Flange Mounted Motors			
AC	L	B	A	H	HD	K	C	D	E	GA	F	P	N	M	R
260	481	140-178	216	132	312	12	89	38	80	41	10	-	-	-	-